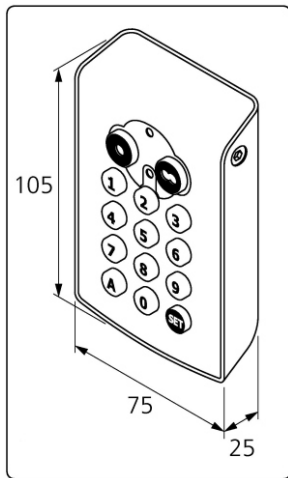


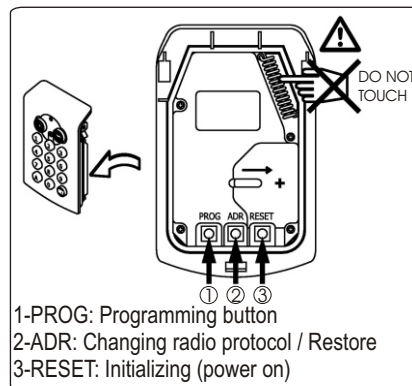
1 Technical Data



- Power supply: 3VDC lithium battery CR 2450
- Operational temperature: -5°/140° F (-20°/60° C)
- Enclosure: IP54 (outdoor rated)
- Frequency: 433.42 Mhz

WARNING: Do not allow children to play with the control system

To insure proper operation, do not install on a metal surface.



- 1-PROG: Programming button
- 2-ADR: Changing radio protocol / Restore
- 3-RESET: Initializing (power on)

Use finger or erasure to press PROG, ADR or RESET button. DO NOT USE a hard or sharp object

Product Description: The Hz Digital Keypad provides sequencing up/stop/down control of one or two Hz operators or Hz receivers. Control is limited to authorised users via user selected security codes of 4, 5 or 6 digits.

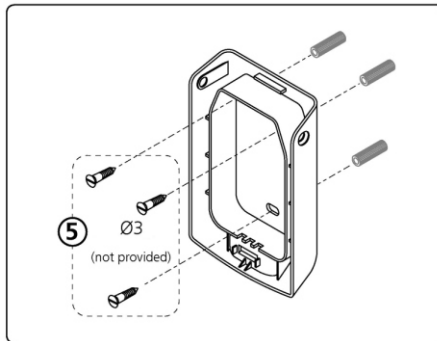
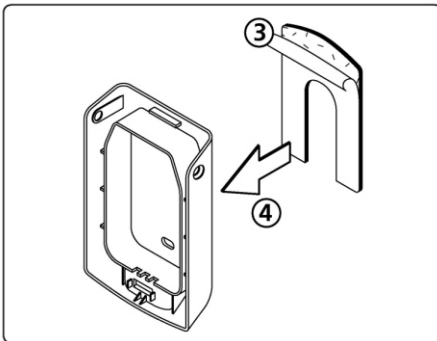
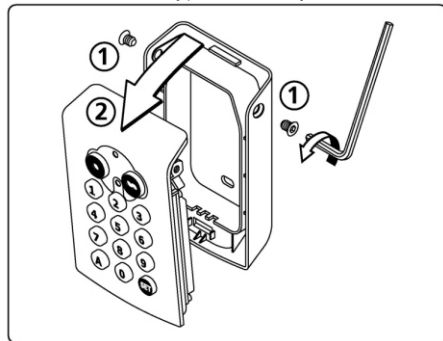
1 Master code (required): Valid to control both channel buttons and required for all programming operations.

4 Secondary codes (optional): 2 codes can be programmed for each channel button allowing partial access to be given to the property.

Backlighting: Pressing any button will activate back lighting in the event of low light conditions.

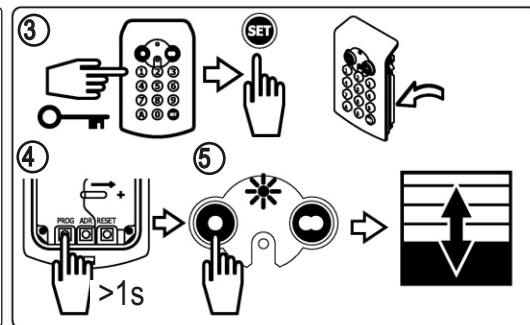
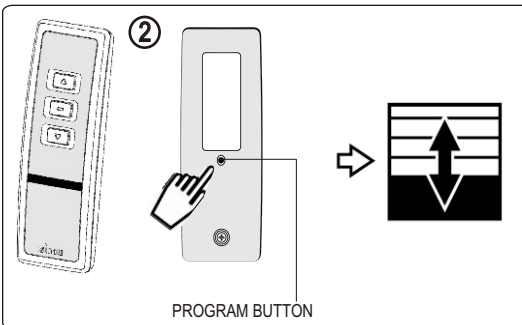
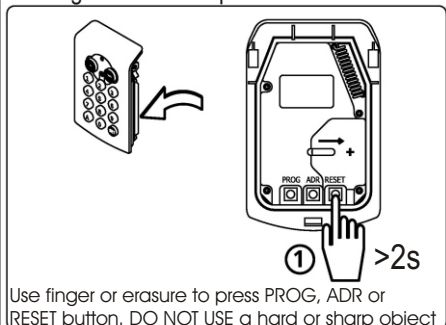
2 Installation/Mounting

1) Remove the two allen screws with the provided tool as shown. 2) Pull the top of the face away from the back. 3) Peel cover off foam. 4) Apply the foam to the back of the keypad case. 5) Mount the back of the case to a vertical wall in the orientation shown. Do not mount to a metal surface.



3 Programming

1) Initialize (power on) the Keypad by pressing the reset for over 2 seconds. This will only need to be done once on a given keypad. 2) Press the programming button on a transmitter already programmed to the operator for 3+ seconds until the operator jogs. 3) Input the master code (000000 until changed). Press set and release. 4) Flip the keypad over and press the programming button for over 1 second. The top LED will start blinking 5) Flip the keypad over and press the desired channel button (1 dot or 2) while the top LED is still blinking. The motor will jog. If a 2nd operator is to be programmed to button 2, repeat steps 2 through 5 with that operator.



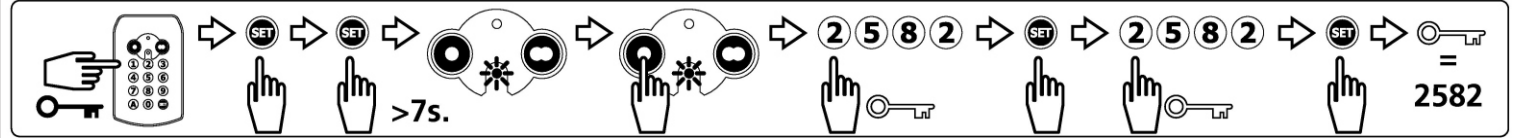
4 Changing the Master Code

To change the master code: Enter the current master code (the master code is 000000 until changed). Press set and release. Press set again and hold it for over 7 seconds. The lower red LED will light and stay lit. Enter the desired new master code. Press set. Enter the new master code a 2nd time and press set. The master code has been changed. **Note: 9A621 is shown below as an example only. It is recommended you choose a different unique master code 4 to 6 digits in length. Copy the selected master code in a safe location as it is required for any programming or code change.**

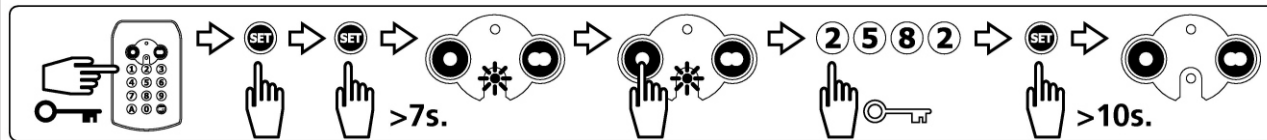


5 Secondary Codes

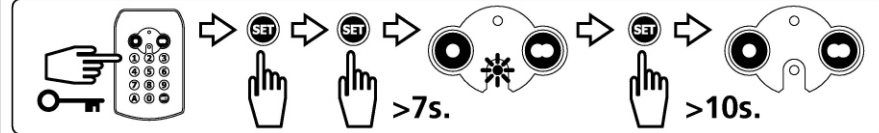
To add a secondary code: Enter the master code. Press set and release. Press set a 2nd time and hold it for over 7 seconds. The lower red LED will light and stay lit. Press the desired channel button (1 or 2 dots). Enter the desired secondary code 4 to 6 digits in length. Press set. Enter the same code a 2nd time and press set. The new secondary code is now set. **Note: 2582 is shown below only as an example. Choose a unique 4 to 6 digit code.**



To delete a secondary code: Enter the master code. Press set and release. Press set a 2nd time and hold it for over 7 seconds. The lower red LED will light and stay lit. Press the desired channel button (1 or 2 dots). Enter the secondary code to be deleted. Press set for over 10 seconds.

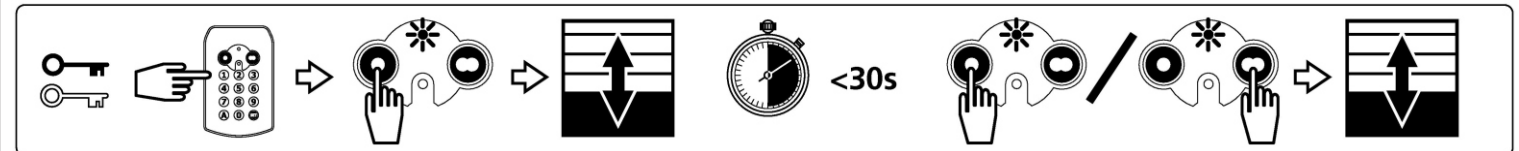


To delete all secondary codes: Enter the master code. Press set and release. Press set a 2nd time and hold it for over 7 seconds. The lower red LED will light and stay lit. Press set for over 10 seconds until the LED goes out.



6 Daily Use

Pressing any button will activate the back lighting in the event of low light conditions. Enter the security code and press the transmit button. The top LED will blink while transmitting. The keypad will be active for 30 seconds after the code has been entered allowing the operator to be sequenced between up/stop/down/stop as desired by each press of the transmit button. **Note: the master code will grant control of both channel buttons (1 and 2 dots). The secondary codes will only grant control of the button they were programmed to.**



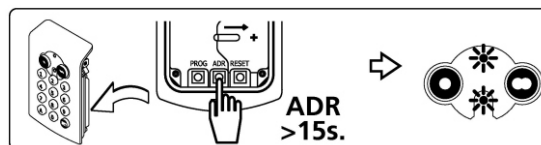
7 Trouble Shooting

If an Hz operator or control was produced before 2006 and will not accept programming, you may need to switch the keypad to the old protocol by: Entering the master code. Press set. Press the address button. Press the channel button that will be programmed to the older unit. Again attempt programming as per step 3 above.

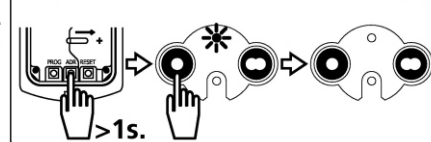
5 successive incorrect codes will lock the keypad for 5 min.

If an error is made in the middle of a programming step, stop and wait 30 seconds and the keypad will reset.

If the master code is lost, the code can be reset by pressing the address button for over 15 seconds until both red LED's start to blink. The master code will be reset to 000000 and the secondary codes will be cleared



Hz operators and controls produced prior to 2006 may require you to change the radio protocol



8 Replacing the Battery

